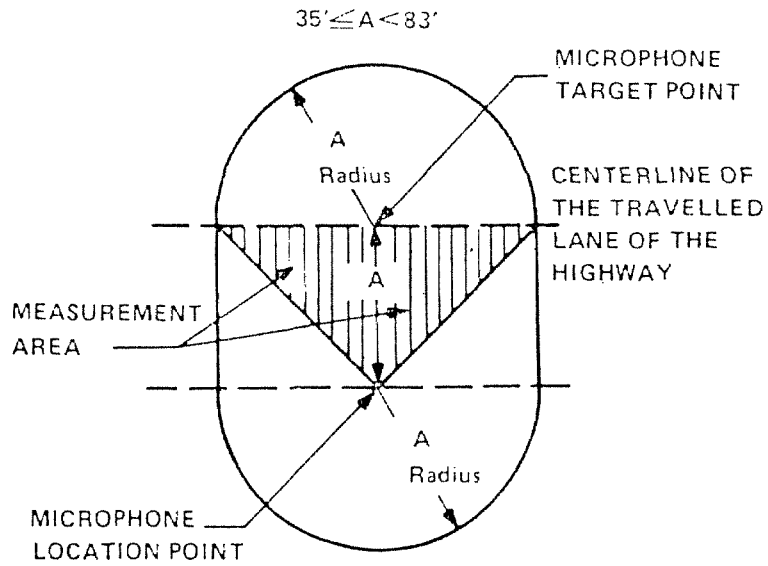


APPENDIX A

STANDARD TEST SITE:
HIGHWAY OPERATIONS



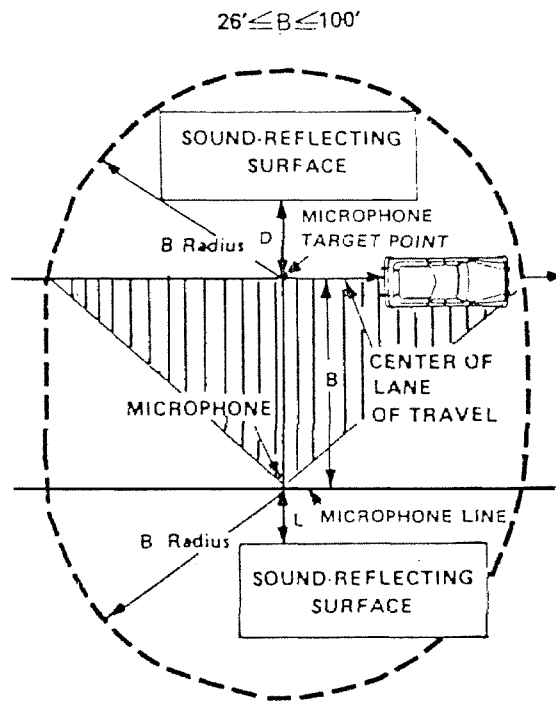
FILED

SEP 18 1984

SOS - ISL - CODE UNIT

APPENDIX B

RESTRICTED MEASURING SITE:
HIGHWAY OPERATIONS



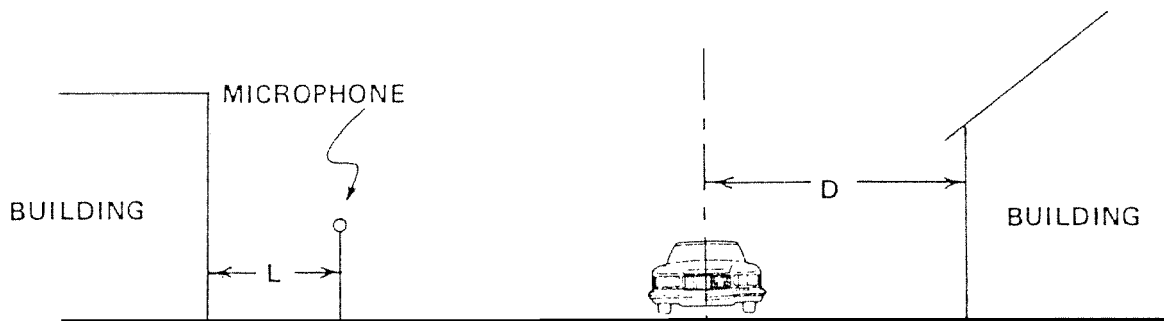
FILED

SEP 18 1984

SOS - ISL - CODE UNIT

APPENDIX C

RESTRICTED MEASURING SITE "D" AND "L"
DETERMINATION FOR REFLECTIVE SURFACE CORRECTION



FILED

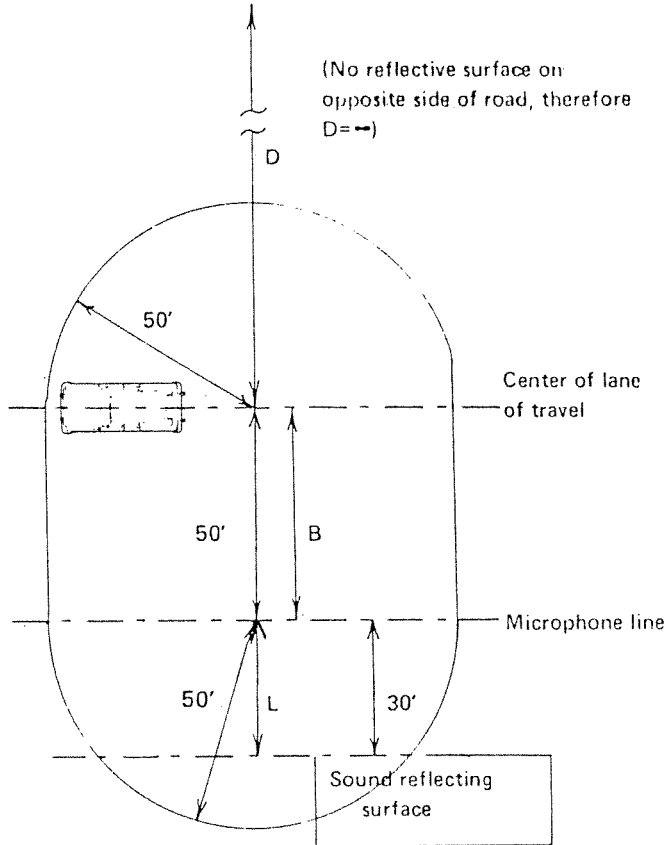
SEP 18 1984

SOS - ISL - CODE UNIT

APPENDIX D

EXAMPLE OF D AND L DETERMINATION

Example:
L=30'
D=∞
From Figure 5,
Correction= 1dB



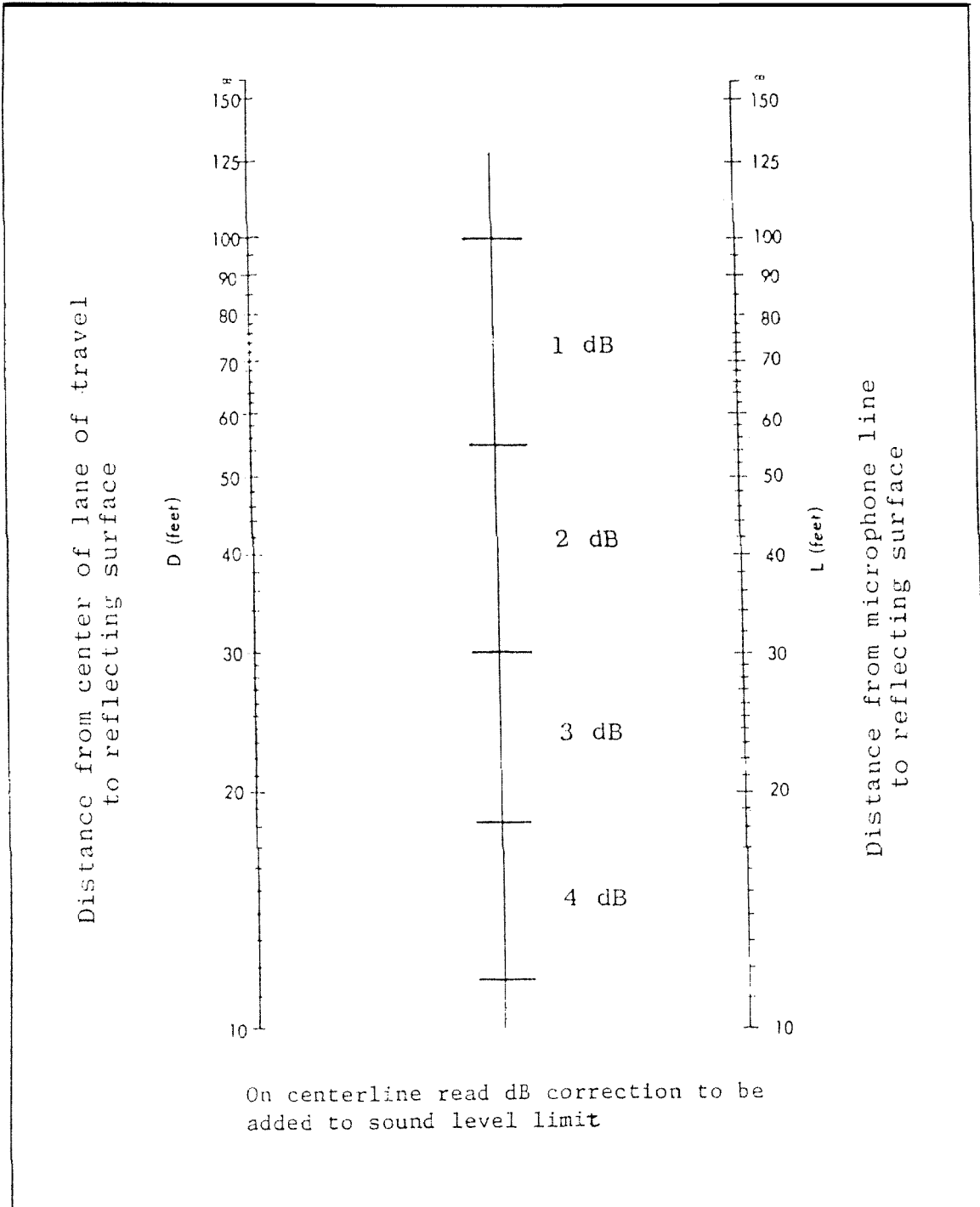
FILED

SEP 18 1984

SOS - ISL - CODE UNIT

APPENDIX E

NOMOGRAPH TO DETERMINE
CORRECTIONS FOR REFLECTIVE SURFACES



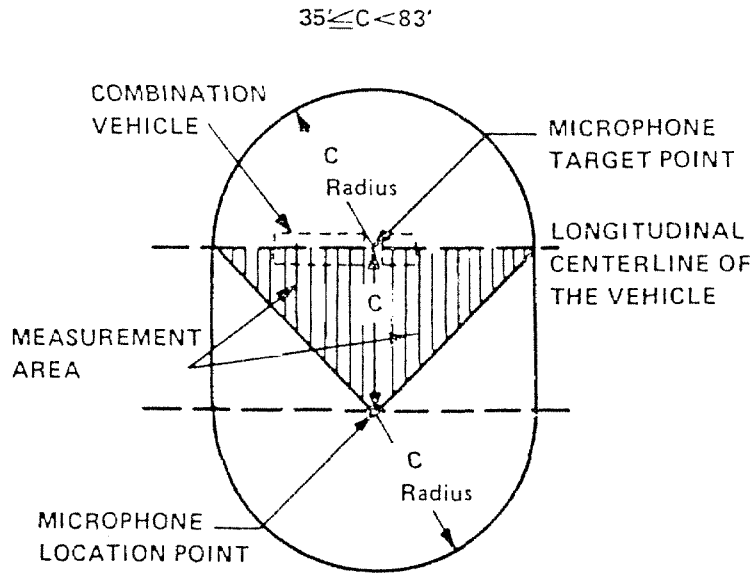
FILED

SEP 18 1984

SOS - ISL - CODE UNIT

APPENDIX F

STANDARD TEST SITE:
STATIONARY TEST



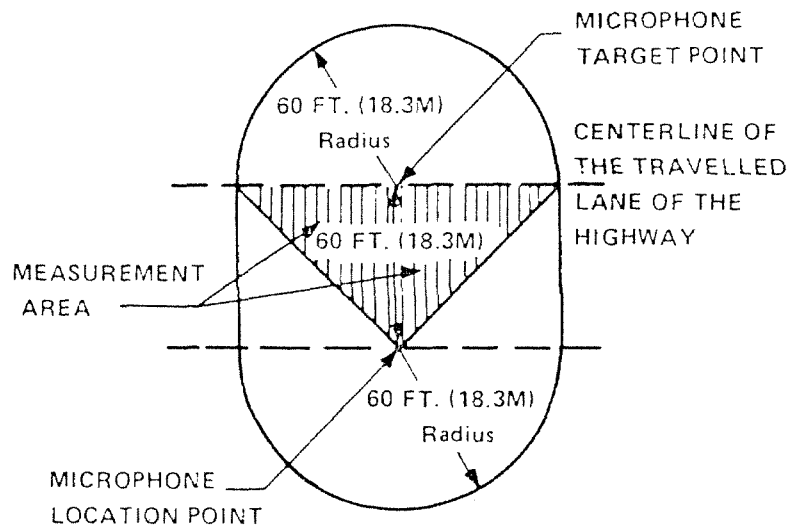
FILED

SEP 18 1984

SOS - ISL - CODE UNIT

APPENDIX G

EXAMPLE OF STANDARD TEST SITE: HIGHWAY OPERATIONS
(60 FEET (18.3m) DISTANCE BETWEEN
MICROPHONE LOCATION AND TARGET POINTS)



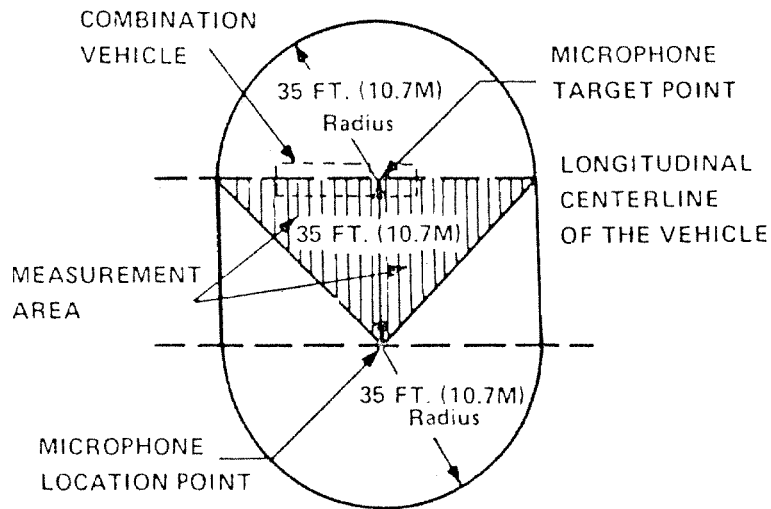
FILED

SEP 18 1984

SOS - ISL - CODE UNIT

APPENDIX H

EXAMPLE OF STANDARD TEST SITE: STATIONARY TEST
(35 FEET (10.7m) DISTANCE BETWEEN
MICROPHONE LOCATION AND TARGET POINTS)



FILED

SEP 18 1984

SOS - ISL - CODE UNIT

APPENDIX I

PASSENGER CAR MICROPHONE MOUNTING POSITIONS

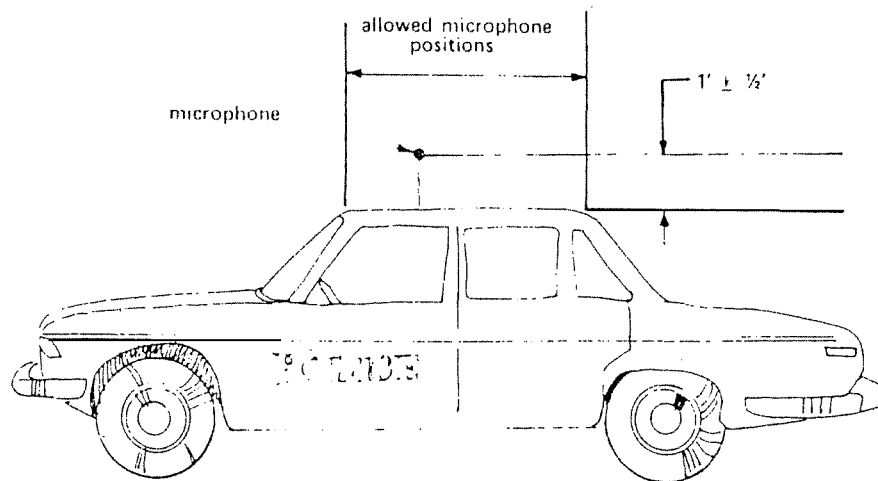


Figure 1 Elevation view

The microphone shall be located 1 ft. (.3m) plus or minus 1/2 ft. (.15m) above the roof.

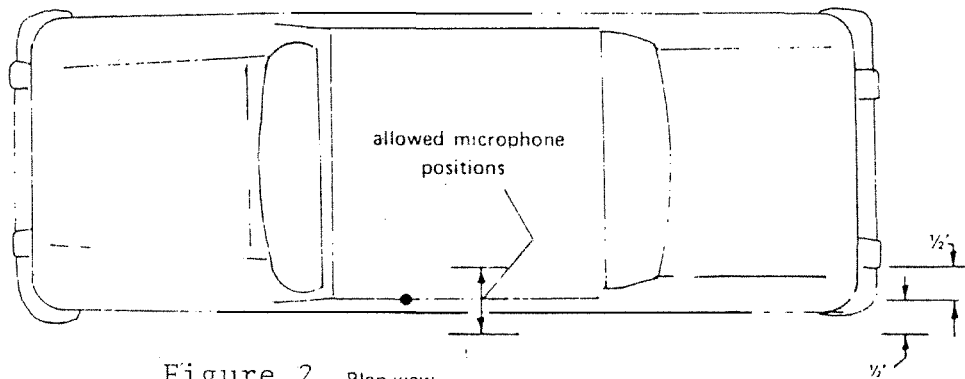


Figure 2 Plan view

The microphone shall be located in line with the edge of the roof on the driver's side of the passenger car plus or minus 1/2 ft. (.15m).

FILED

SEP 18 1984

SOS - ISL - CODE UNIT

35 ILLINOIS ADMINISTRATIVE CODE CHAPTER II, §952, App. J
SUBTITLE H

APPENDIX J
OLD RULE NUMBERS REFERENCED

The following table is provided to aid in referencing old Agency rule numbers to section numbers pursuant to codification.

Old	35 Ill. Adm. Code Part 952
Part A	Section 952.100
Part B	Section 952.110
Part C	Section 952.120
	Section 952.121
	Section 952.122
	Section 952.123
	Section 952.124
	Section 952.125
Part D	Section 952.130
	Section 952.131
	Section 952.132
	Section 952.133
	Section 952.134
Part E	Section 952.140
Part F	Section 952.150
Figure 1	Appendix A
Figure 2	Appendix B
Figure 3	Appendix C
Figure 4	Appendix D
Figure 5	Appendix E
Figure 6	Appendix F
Figure 7	Appendix G
Figure 8	Appendix H
Figure 9	Appendix I
Added in Codification	Appendix J

NS:1658d,29/ts

FILED

SEP 18 1984

SOS - ISL - CODE UNIT